



- 51-201 SINGLE REGULATED**
- 51-202 DOUBLE REGULATED**
- 51-202-SS DOUBLE REGULATED, STAINLESS STEEL FITTED***

***STAINLESS STEEL FITTED TANKS HAVE STAINLESS STEEL OUTLET FITTINGS AND PICK-UP TUBE**

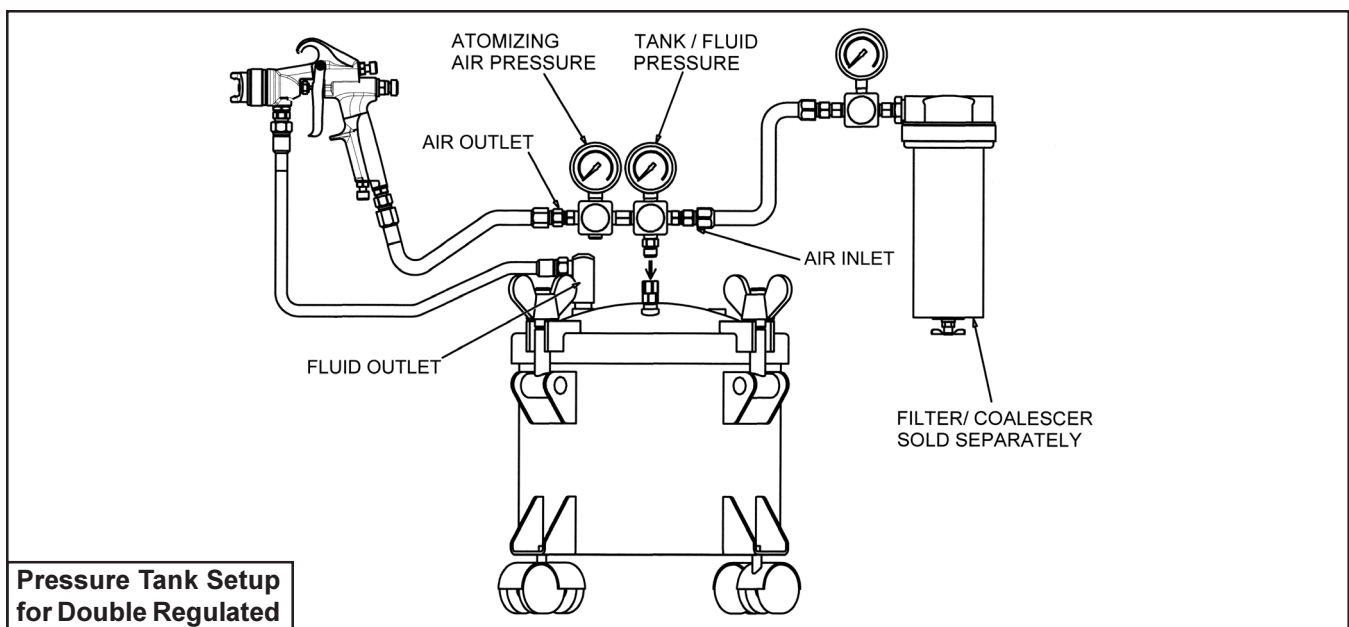
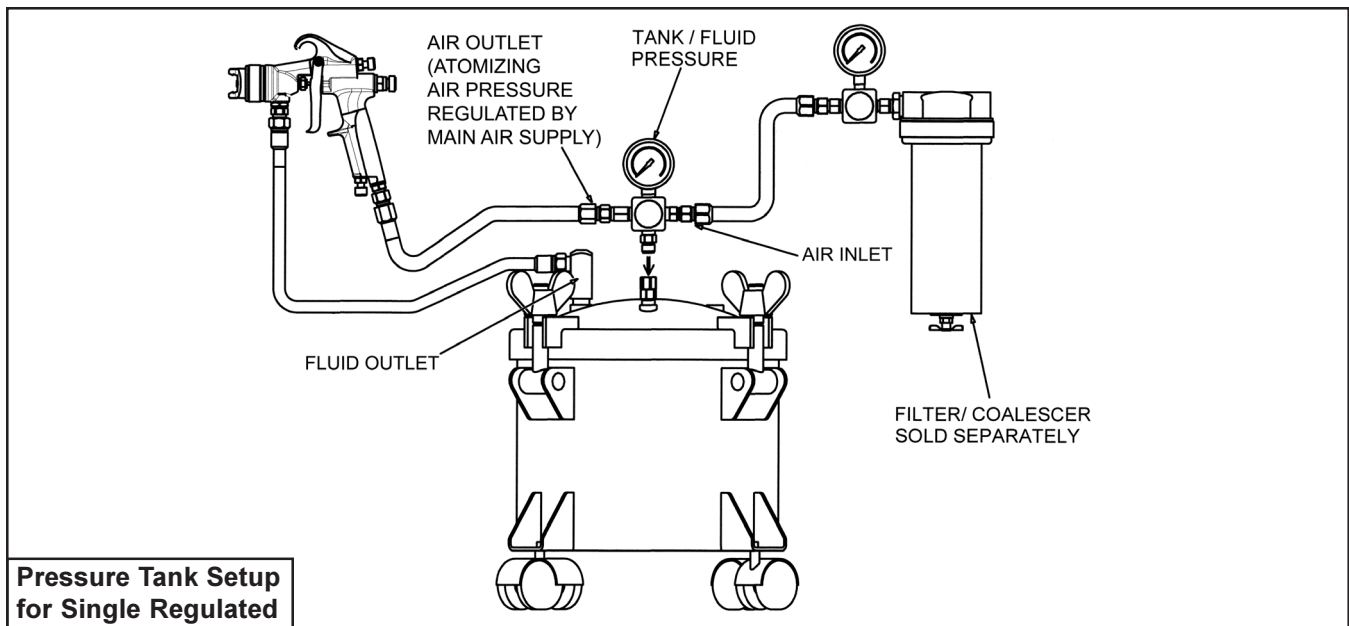
IMPORTANT NOTE: IF THIS PRESSURE TANK IS TO BE USED FOR SPRAYING FLAMMABLE MATERIALS, OPERATOR MUST NOT PRESSURIZE THIS TANK MORE THAN 15 PSI TO MEET OSHA REQUIREMENTS. FOR NON-ASME PRESSURE VESSELS. IT IS THE RESPONSIBILITY OF THE OPERATOR TO FOLLOW THIS MANDATORY PROCEDURE.

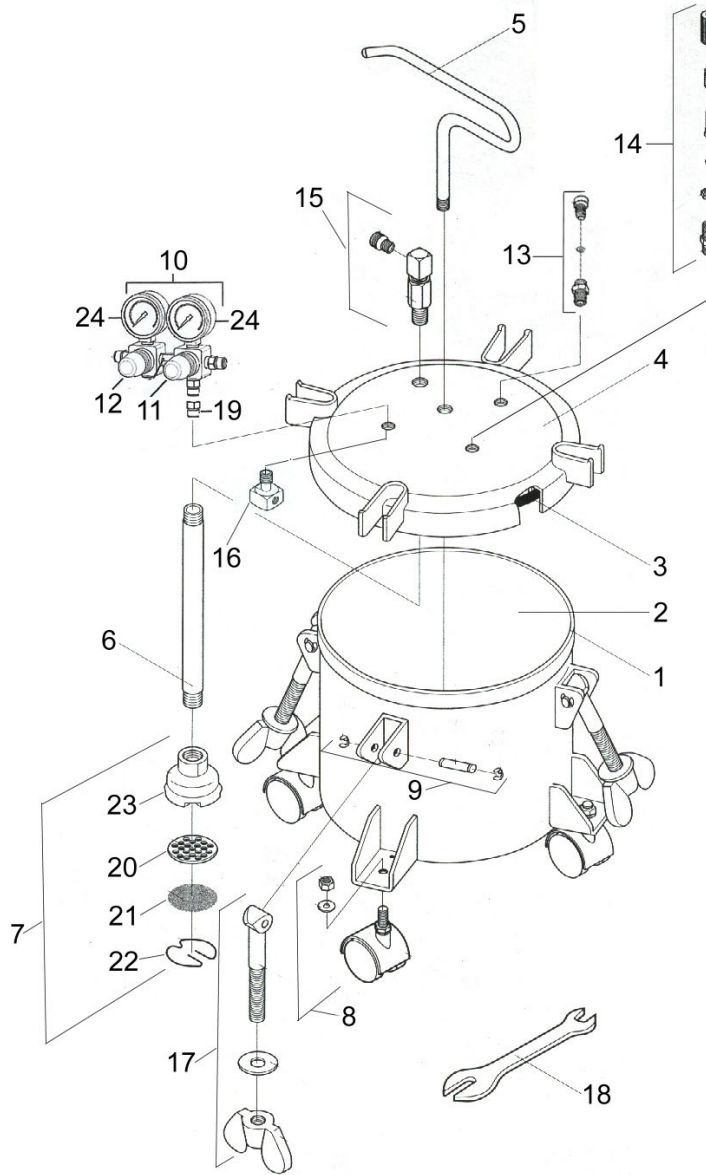
GENERAL INFORMATION

This pressure tank is equipped with either single or double air pressure regulation, pressure safety relief valve, a disposable plastic liner, and four caster wheels.

CAUTION!

1. Maximum tank pressure of 80 psi. The safety relief valve is designed to protect the tank against excessive pressures. DO NOT attempt to make adjustments to this valve. If this valve begins to vent air, reduce the setting on the air inlet regulator.
2. DO NOT alter the tank in any way by welding, drilling or machining as this may weaken the structure of the tank.
3. To prevent hazardous static sparks from occurring, always ground the tank by connecting a 12 ga. wire to the tank and to a known earth ground.
4. Be sure tank pressure is completely relieved before attempting to remove tank cover or material fill cap. Shut off the main air supply to the tank and vent pressure using the vent valve located on the tank lid.





ITEM NO.	PART NO.	DESCRIPTION	ITEM NO.	PART NO.	DESCRIPTION
1	51-226	Tank Shell	13	51-234	Vent Valve
2	51-261	Disposable Ridged Tank Liner	14	51-229	Safety Relief Valve Assembly
3	51-220	Gasket	15	51-230	Fluid Outlet Fitting
4	51-228	Tank Lid Assembly		51-230-SS	Fluid Outlet Fitting (SS Fitted Tanks)
5	51-235	Handle	16	51-237	Air Flow Diffuser
6	51-223	Fluid Pickup Tube	17	51-236	Eye Bolt Assembly
	51-223-SS	Fluid Pickup Tube (SS Fitted Tanks)	18	51-225	Wrench
7	51-232	Inlet Strainer Assembly	19	51-280	Swivel Fitting 1/4"
8	51-224	Caster (4 Req'd)	20	51-254	Inlet Screen Backing Plate
	51-252	Optional Stationary Feet (4 Req'd)	21	51-248	Inlet Screen
9	51-223	Pin Assembly	22	51-225	Inlet Screen Retaining Clip
10	52-303	Dual Inline Regulator Assembly	23	51-256	Inlet Strainer Body
11	52-10A	Regulator (Pass Through)	24	52-58	100 Psi Bottom Mount Gauge
12	52-11A	Regulator (All Ports Regulated)			
	52-222K	Repair Kit for Above Regulators			

Ridged Liners Available in 12 Packs (51-261-12) or 60 Packs (51-261-60)

Single Regulated Supplied With Item 11 Only

Double Regulated Supplied With Items 11 & 12

Pressure Tanks Available From C.A. Technologies



2.5 Gallon Pressure Tank
51-201 Single Regulated
51-202 Double Regulated



2.5 Gallon Pressure Tank
With Air Powered Agitation
51-203 Single Regulated
51-204 Double Regulated



5 Gallon Pressure Tank
With No Agitation
51-507 Single Regulated
51-508 Double Regulated



5 Gallon Pressure Tank
With Manual Agitation
51-501 Single Regulated
51-502 Double Regulated



5 Gallon Pressure Tank
With Air Powered Agitation
51-503 Single Regulated
51-504 Double Regulated



10 Gallon Pressure Tank
With No Agitation
51-551 Single Regulated
51-552 Double Regulated



10 Gallon Pressure Tank
With Manual Agitation
51-557 Single Regulated
51-558 Double Regulated



10 Gallon Pressure Tank
With Air Powered Agitation
51-553 Single Regulated
51-554 Double Regulated